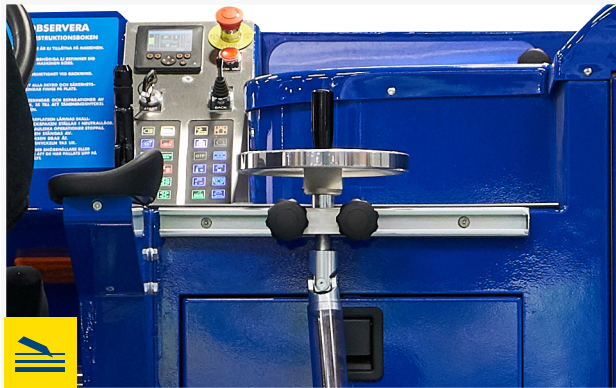




LEADING EDGE AUTOMATION DRIVEN BY DESIGN

A European masterpiece loaded with technology and features normally considered optional, this machine maximizes capacities and efficiencies, delivering a world-class sheet of ice.

IZO MODEL
612
ELECTRIC



Ergonomic blade angle adjustment wheel feature allows each operator to customize placement for ease of access.

Internationally recognizable icons are grouped together on-dash to reference machine systems and functions.

Cylindrical power board brush reaches higher for superior cleaning power and is a standard feature.



BATTERY AND CHARGER

Industry-proven lead acid battery or optional lithium-ion battery technology. Microprocessor controlled chargers are customized to meet the needs of each facility. Battery watering system is standard.



ELECTRONIC CONTROLS

Dependable AC controls. Two electric auger motors. Electrically operated water valves. Emergency stop feature. Electric wheel motors. On-dash display of battery capacity, water level and speed.



HYDRAULICS

Electric hydraulic pump motor. Speed-related ice making water system controls water distribution. Safety valve for snow tank and conditioner hydraulics. Hydraulic all-wheel braking.



STANDARD FEATURES

Automatic snow breaker; tire wash; water level gauges; back up alarm; non-stick snow tank liner; wash water to ice making water transfer; snow tank light; adjustable steering wheel; wash water flow monitor; extended hand rail and premium heated seat.



CONSTRUCTION

Steel body panels and galvanized steel chassis/frame conditioner. Stainless steel high capacity water tanks. Rugged belt-driven augers reduce noise in operator area. Premium paint for corrosion resistance.

ZAMBONI

zamboni.com

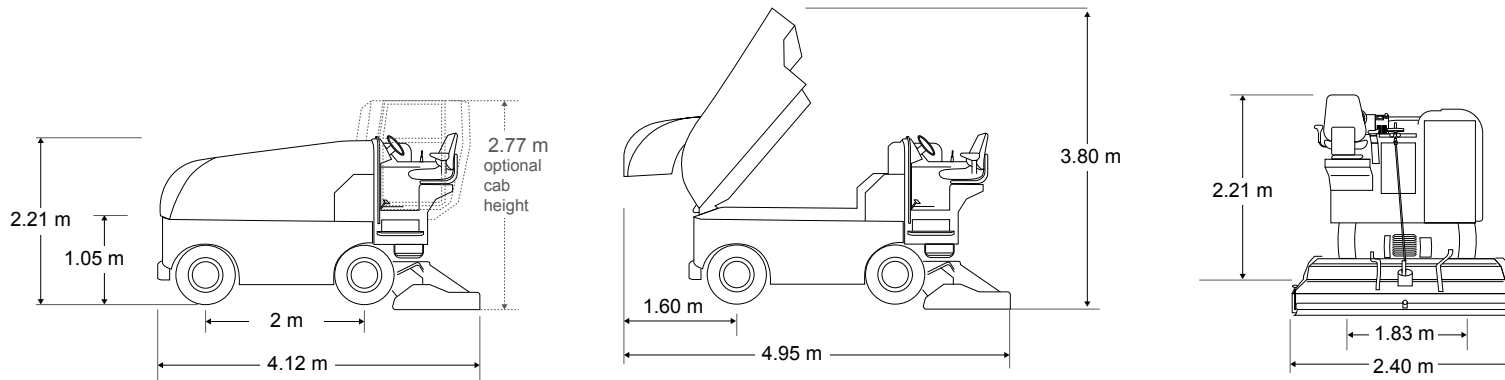
ZAMBONI and the configuration of the Zamboni® ice resurfacing machine are registered trademarks of Frank J. Zamboni & Co., Inc.
© Zamboni 2022

IZO MODEL
612
ELECTRIC



This brochure has been prepared only as a general guide for the customer. Every effort has been made to assure that the information presented is correct. Some features described or shown may be optional at extra cost. Prices, colors, materials, specifications and models are subject to change. For current product information, please contact the Zamboni Company.

MODEL 612 ELECTRIC



CAPACITIES

Snow Tank

Actual Volume	3.20 m ³	113 cu. ft.
Compacted	4 m ³	141 cu. ft.

Water

Ice Making	✔ 850 or + 1000 L	✔ 224.5 or + 264.2 gal.
Wash Water	400 L	106 gal.
Total	1250 L	330 gal.

Hydraulic Oil	22 L	5.8 gal.
---------------	------	----------

POWERTRAIN Four-Wheel Drive

Motors

Four Electric Wheel Traction Motors	3.25 kW	4 HP
Electric Hydraulic Pump Motor	3 kW	4 HP
Two Electric Auger Motors	9 kW	12 HP
Total Energy Consumption of all Motors	34 kW	46 HP

Battery

✔ Lead Acid or + Lithium-ion	*Accommodates a Variety of Battery Capacities	
------------------------------	-----------------------------------------------	--

Axles

Front	7000 kg	15432 lb
Rear	7000 kg	15432 lb

Brakes Full Hydrodynamic Braking with Front and Rear Drum Brakes

✔ Standard + Option

DIMENSIONS

Overall	L	W	H	L	W	H
Snow Tank Down	4.12 m	2.40 m	2.21 m	162 in.	94 in.	87 in.
Snow Tank Up	4.95 m	2.40 m	3.80 m	195 in.	94 in.	150 in.

Shaving Blade	L	W	H	L	W	H
✔ 220 cm 86.6 in. Blade	220 cm	12.7 cm	1.27 cm	86.6 in.	5 in.	0.5 in.
+ 243.8 cm 96 in. Blade	243.8 cm	12.7 cm	1.27 cm	96 in.	5 in.	0.5 in.

Clearance

Minimum Operator Height Clearance	2.31 m	91 in.
Snow Pit Clearance	105 cm	41.3 in.

Conveyor System

Horizontal Auger Diameter	25.4 cm	10 in.
Vertical Auger Diameter	25.4 cm	10 in.
Auger Length	218.4 cm	86 in.

Manueverability

Wheelbase	2.00 m	78.7 in.
Wheel Track	1.80 m	70.9 in.
Turning Radius at Conditioner	3.85 m	12.6 ft.

Weight

Empty with Lead Acid	5130 kg	11310 lb
With Water with Lead Acid	6380 kg	14065 lb
Empty with Lithium-ion	4018 kg	8860 lb
with Water with Lithium-ion	5268 kg	11615 lb



Enclosed Cab

The enclosed operator cab provides protection from the elements and a safe, comfortable working space. *optional equipment



Zamboni Connect™ System

Monitor consumption and optimize performance with predictive insight and resource management. *optional equipment



Blade Change Assistant

Allows operators to complete a safe and easy blade installation or removal without touching the exposed blade. *optional equipment



✓ STANDARD FEATURES

- 2 Year Warranty
- Adjustable Steering Wheel
- Auto Ice Button for an Automated Start and Stop to All Resurfacing Processes
- Automated Wash Water Pump Start
- Automatic Snow Breaker
- Backup Alarm
- Battery Watering System
- Battery: Lead Acid
- Blade Change Ease of Access From Above
- Brushless AC Motors and Controls
- Charger Adjusted to Customer Specs and Microprocessor Controlled
- Chassis: Strong All Welded Steel Tubing
- Closed Wash Water System
- Dual Auger Startup
- Dynamic Stability and Traction Control
- Electric Water Valve Operation
- Electric Wheel Motors

- Emergency Stop Button
- Ergonomic Blade Adjustment Wheel
- Four-Wheel Drive
- Galvanized Steel Frame Rear Swing Axle
- Guide Wheel
- Hydraulic All Wheel Braking
- Hydraulic Oil Vacuum Pump
- Fiberglass Hydraulic Snow Tank Lid
- Ice Making Water Level Gauge
- Integrated Snow Tank Safety Stand
- LED Headlights And Tail Light
- Automatic / Manual Ice Making Water Control
- Non-Stick Snow Tank Liner
- On-Dash Digital System Performance Display
- On-Dash View of Wash Water Return Flow
- Parking Brake
- Power Cylindrical Board Brush
- Power Steering

- Premium Adjustable / Heated Seat
- Premium Spreader Towel
- Preset Speed Options For Ice Maintenance, Ice Hockey And Bandy
- Replaceable Conditioner Runners
- Replaceable Poly Conditioner Side Plates
- Safety Valve on Hydraulic Cylinders for Snow Tank and Conditioner
- Snow Tank Light and View Panel
- Spare Tire and Wheel
- Speed-Related Ice Making Water System
- Stainless Steel Wash and Ice Making Water Tank
- Stainless Steel Water Distribution Pipe
- Steering Wheel Spinner Knob
- Tire Wash System and Studded Tires
- Transparent Auger Viewing Panels
- Variable Auger Speed Based on Water Flow
- Wash Water Level Gauge
- Wash Water to IMW Transfer System

+ OPTIONS

- 1000 L Ice Making Water Tank
- Auger Washout System
- Automated Towel Bar Lift Raises Towel When Water Is Turned Off
- Battery: Lithium-ion
- [Blade Change System](#)
- Cab
- Conditioner: 96"
- Front Camera
- [Level-Ice™](#)
- Machine-Mounted Edger
- Seatbelt
- Spray Boom
- Touch Up Paint Kit
- [Zamboni Connect™ System](#)